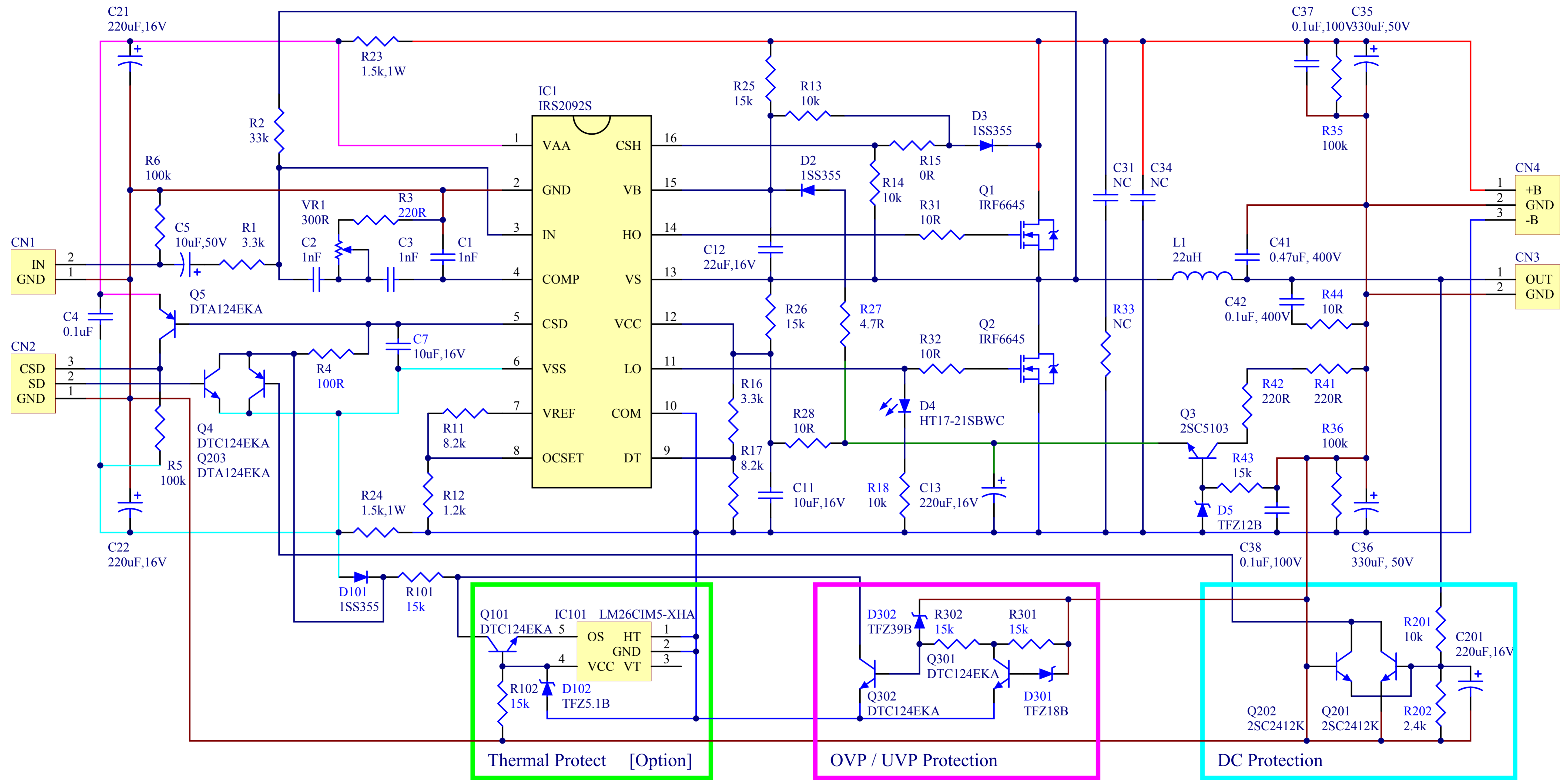


LV-1.0 Power Amplifier



Title			LV-1.0 Power Amplifier		
Size	Number		Revision		
A4			4.0		
Date:	2011/12/31		Sheet of		
File:	D:\LV.\LV-1 PowerAmp_Rev4_0.SchDoc				Drawn By: